

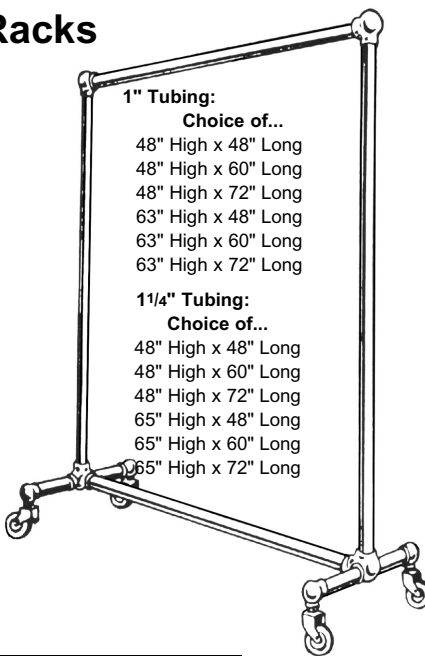
Single and Double Rolling Racks

Made in the USA

For the Showroom or the Stockroom.
Choose 1" or Sturdy 1 1/4" Steel Tubing. Available in Polished Chrome or Galvanized. Custom Made in a Wide Variety of Sizes, or can be cut to your Exact Size Specifications.

1" HEAVY WALL PIPE		1 1/4" HEAVY WALL PIPE	
No. LR-1	Chrome	No. LR-1 1/4	Chrome
1-5 pcs.	\$185.00 ea.	1-5 pcs.	\$210.00 ea.
6-11 pcs.	\$170.00 ea.	6-11 pcs.	\$195.00 ea.
12+ pcs.	\$160.00 ea.	12+ pcs.	\$185.00 ea.
No. GLR-1	Galvanized	No. GLR-1 1/4	Galvanized
1-5 pcs.	\$160.00 ea.	1-5 pcs.	\$190.00 ea.
6-11 pcs.	\$145.00 ea.	6-11 pcs.	\$175.00 ea.
12+ pcs.	\$140.00 ea.	12+ pcs.	\$165.00 ea.

BLACK RACK - SINGLE BAR
(Not Shown)
1 1/4" Heavy Wall Pipe
65" High X 60" Long
NO. BLK-LR1-1/4
\$240.00 ea.



1" Tubing:
Choice of...
48" High x 48" Long
48" High x 60" Long
48" High x 72" Long
63" High x 48" Long
63" High x 60" Long
63" High x 72" Long

1 1/4" Tubing:
Choice of...
48" High x 48" Long
48" High x 60" Long
48" High x 72" Long
65" High x 48" Long
65" High x 60" Long
65" High x 72" Long

Single Rail Adjustable Chrome Rolling Rack

60" Long x 20" Wide.
Hangrail is made of 1 1/4" Round Tubing and is Adjustable from 54" to 74".
Uprights, Stretcher Bars and Base are Made of 1" Square Tubing.

- Double Stretcher Bars for Double Strength.
- Free Wheeling 3" Ball Bearing Casters

No. ECK-43
1-5 pcs. **\$95.00**
6-11 pcs. **\$90.00**
12+ pcs. **\$85.00**

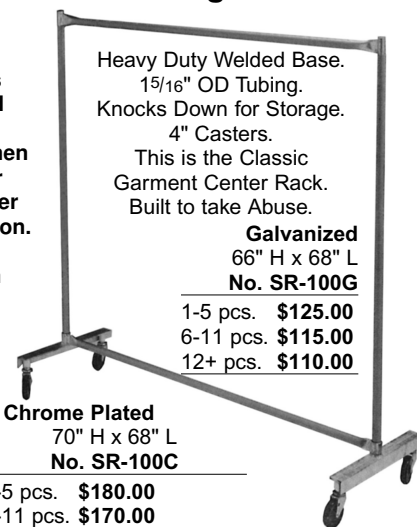


Single Rail Heavy Duty Rolling Rack

Heavy Duty Welded Base.
1 5/16" OD Tubing.
Knocks Down for Storage.
4" Casters.
This is the Classic Garment Center Rack.
Built to take Abuse.

Galvanized
66" H x 68" L
No. SR-100G
1-5 pcs. **\$125.00**
6-11 pcs. **\$115.00**
12+ pcs. **\$110.00**

Chrome Plated
70" H x 68" L
No. SR-100C
1-5 pcs. **\$180.00**
6-11 pcs. **\$170.00**
12+ pcs. **\$165.00**



DOUBLE DECKER RACK

1" HEAVY WALL PIPE

No. LR-3	Chrome
1-5 pcs.	\$200.00 ea.
6-11 pcs.	\$185.00 ea.
12+ pcs.	\$175.00 ea.

No. GLR-3	Galvanized
1-5 pcs.	\$180.00 ea.
6-11 pcs.	\$165.00 ea.
12+ pcs.	\$155.00 ea.

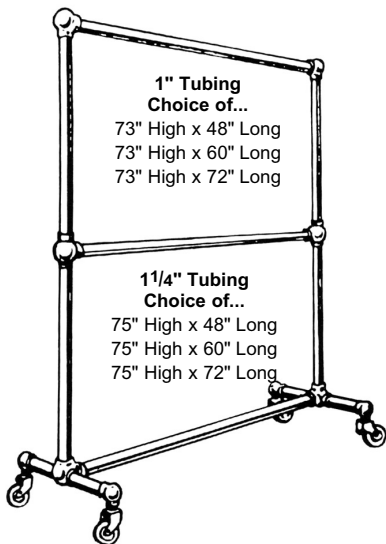
1 1/4" HEAVY WALL PIPE

No. LR-3 1/4	Chrome
1-5 pcs.	\$240.00 ea.
6-11 pcs.	\$225.00 ea.
12+ pcs.	\$215.00 ea.

No. GLR-3 1/4	Galvanized
1-5 pcs.	\$205.00 ea.
6-11 pcs.	\$190.00 ea.
12+ pcs.	\$180.00 ea.

Note: Prices on this page for LR, FR and SR racks DO NOT include cartons. When shipping via UPS or TRUCK add \$8.00 per rack to pack in Carton. No. RBC \$8.00 per carton

Additional charges for Rack set-up



1" Tubing
Choice of...
73" High x 48" Long
73" High x 60" Long
73" High x 72" Long

1 1/4" Tubing
Choice of...
75" High x 48" Long
75" High x 60" Long
75" High x 72" Long

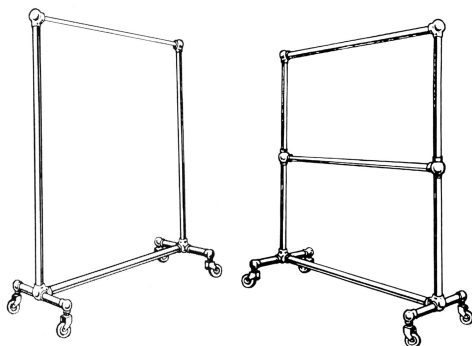
Before placing your custom rack order, please give it your careful consideration. We cut all FR-1, FR-3, LR and GLR racks to your specifications. Once they are cut we cannot accept returns or exchanges.

SINGLE DECKER FABRIC RACK
63" High x 60" Long
No. FR-1 \$ 220.00 ea.

DOUBLE DECKER FABRIC RACK
72" High x 60" Long
No. FR-3 \$ 280.00 ea.

Fabric Racks

These racks are made of 1" Polished Chrome Steel with uprights and 3/4" OD cross bar designed specifically to hold fabric sample header cards. See Page 40.



Black Beauty Single Rail Racks

IN THREE HEIGHTS

48" H x 60" W
1-5 pcs. **\$40.00 ea.**
6-11 pcs. **\$38.00 ea.**
12+ pcs. **\$36.00 ea.**

54" H x 60" W
1-5 pcs. **\$42.00 ea.**
6-11 pcs. **\$40.00 ea.**
12+ pcs. **\$38.00 ea.**

63" H x 60" W
1-5 pcs. **\$44.00 ea.**
6-11 pcs. **\$42.00 ea.**
12+ pcs. **\$40.00 ea.**

No. BB-10
19" Wide at Base.
On Glide Fittings.

